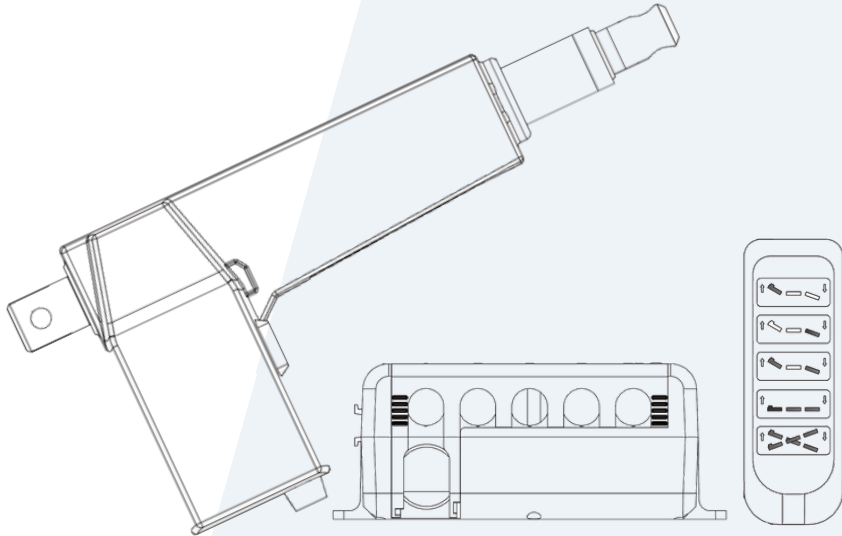
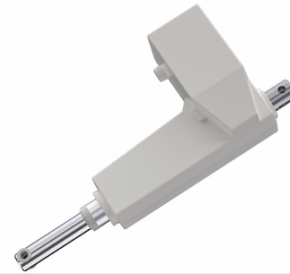


Linear Actuators

Transform Your Healthcare and Industrial Solutions: Premium Actuators for Hospital Beds, Dental Chairs, and Beyond!



Precision Actuators & Control Solutions



BI 398A

- Compact size
- IP54 / 66 Rating
- Precise control
- Built in limit switch
- Direct motor drive
- Low Noise Operation
- Optional - Hall Sensor
- Quick release function
- Seamless coordination

Stroke length - 100 to 900mm
 Maximum thrust - 1000N to 10000N
 Input voltage - 24 VDC
 Duty Cycle - 10%

Certification - EN60601-1
 EN60601-1-2
 ROHS2.0



BI 398C

- Compact size
- IP54 Rating
- Precise control
- Built in limit switch
- Direct motor drive
- Low Noise Operation
- Quick release function
- Seamless coordination

Stroke length - 50 to 900mm
 Maximum thrust - 125N to 6000N
 Input voltage - 24 VDC
 Duty Cycle - 10%

Certification - EN60601-1
 EN60601-1-2
 ROHS2.0



BI 398D

- Compact size
- IP54 Rating
- Precise control
- Built in limit switch
- Direct motor drive
- Low Noise Operation
- Quick release function
- Seamless coordination

Stroke length - 50 to 400mm
 Maximum thrust - 125N to 2000N
 Input voltage - 12/24 VDC
 Duty Cycle - 10%

Certification - EN60601-1
 EN60601-1-2
 ROHS2.0



BI E398

- Control Capability: Synchronized operation for 1-4 sets of linear actuators
- Working Voltage: 100-240V AC, 50Hz
- Motor Connections: Available in 4/8/10-pin direct plug options
- Protection Grade: IP54
- Duty Cycle: 10%